

ROUNDTUB VIBRATORS  
**SVF**

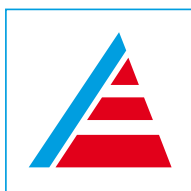


© SPALECK ENGINEERING

SVF

**Deburring • Edge Rounding • Cleaning  
Shining • Polishing**

Energy-saving and low-wear direct drive for an optimum processing intensity. Particularly suitable for parts that cannot be separated from the processing media via separation flap and screen.



MADE IN GERMANY

[www.spaleck.biz](http://www.spaleck.biz)



# ROUNDTUB VIBRATORS SVF

## Technical features:

- Direct drive with two motor speeds for processing and gentle discharging
- Tub lining made of wear-resistant polyurethane
- Floor drain with siphon
- Media removal plug to empty the working tub

## Optional features:

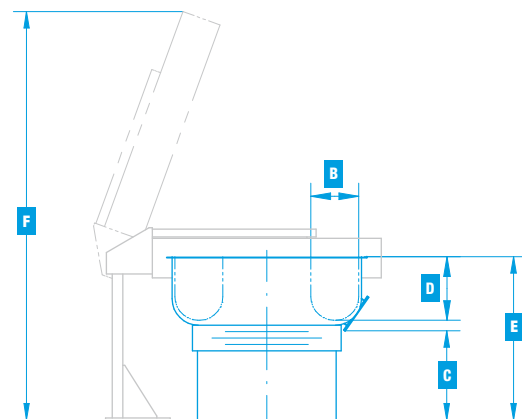
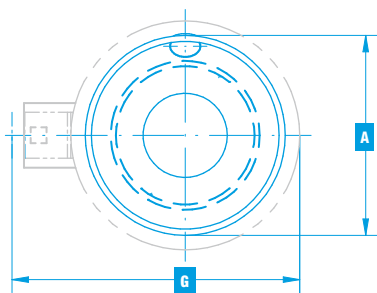
- Pneumatic bottom discharge flap to feed the parts and media into an external separation unit
- Frequency converter for a continuous adjustment of the motor speed
- Special tub lining to minimize adhesion of parts
- Manually or pneumatically pivotable sound protection lid

## Technical data:

Description		SVF1	SVF2	SVF4	SVF6
Working tub volume	l	100	200	400	600
Operating voltage	V   Hz	400   50	400   50	400   50	400   50
Drive power	kW	0,75	3,0	3,0	7,5
Motor speed processing	Rpm	1500	1500	1500	1500
Motor speed discharge	Rpm	1000	1000	1000	1000
Empty weight basic machine	kg	390	650	960	1210
Operating weight max.	kg	600	950	1600	2400
Space requirement basic machine	m <sup>2</sup>	0,9	1,4	2,2	2,8

## Dimensions in mm:

Description		SVF1	SVF2	SVF4	SVF6
Diameter vibrator	A	910	1225	1535	1715
Width working tub	B	200	255	355	425
Bottom edge media removal plug	C	600	600	650	600
Height working tub	D	300	310	410	450
Top edge vibrator	E	580	1100	1250	1230
Top edge open sound protection	F	2090	2950	3350	3500
Width vibrator incl. discharge and sound protection	G	1350	1800	2050	2250



© SPALECK ENGINEERING