

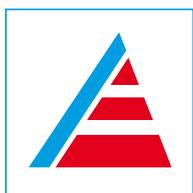
ROUNDTUB DRIERS
VAT



© SPALECK ENGINEERING

Spotless drying and polishing of all types of parts

Direct heating system including control and regulation circuit for optimum energy efficiency. For the drying of parts after surface finishing or ball burnishing. Perfectly suited for direct passage as well as for an optional batch processing of parts.



MADE IN GERMANY

www.spaleck.biz



ROUND TUB DRIERS VAT

Technical features:

- Extended screening zone to enable a granulate-free discharge of parts
- Steady rise of the working tub for a good movement
- Opposite feeding and discharge for an integration into linear production
- Heating capacity as needed

Optional features:

- Manual or pneumatic pendulum flap for multiple circulation of parts
- Blow-off unit above the separation unit
- Tub lining made of polyurethane
- Flexible dust cover and extraction

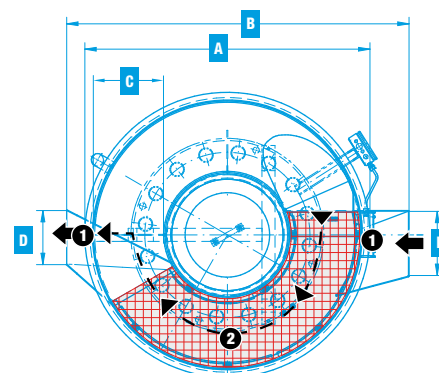
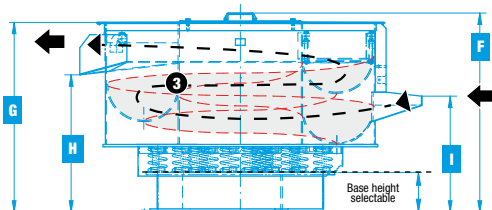
Technical data:

Description		VAT11	VAT33	VAT55
Working tub volume	l	120	230	550
Operating voltage	V Hz	400 50	400 50	400 50
Drive power	kW	1,6 - 2,2	1,6 - 2,2	3,0
Motor speed	Rpm	1460	1500	1460
Heating capacity max.	kW	4,8	3,6 7,2	6 12
Empty weight basic machine	kg	500	700	1350
Operating weight max.	kg	750	1200	2600
Space requirement	m ²	1,7	2,4	3,7

Dimensions in mm:

Description	VAT11	VAT33	VAT55	
Diameter drier	A	1125	1350	1755
Width drier incl. entry and discharge	B	1440	1655	2110
Width working tub	C	250	320	420
Width discharge	D	280	325	335
Width entry	E	280	400	450
Top edge drier	F	850	910	1225
Top edge working tub	G	780	850	1170
Bottom edge discharge	H	540	565	845
Top edge entry	I	460	450	715

*With standard base



- 1 Parts entry and discharge in one line
- 2 Extended screening zone
- 3 Steady rise

© SPALECK ENGINEERING